

Installation

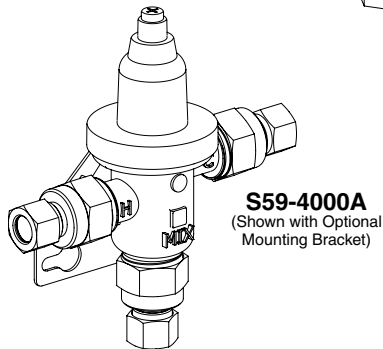
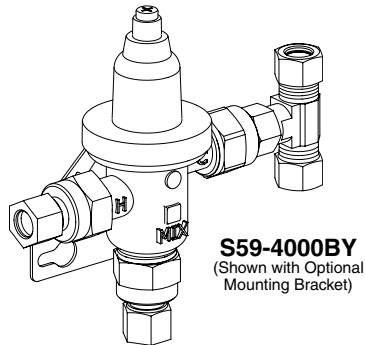
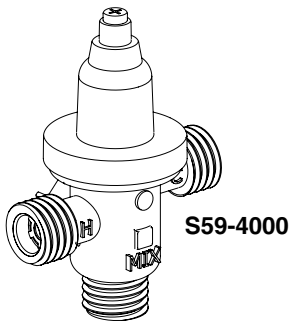
S59-4000

S59-4000A

S59-4000BY

Navigator® Thermostatic Mixing
Valve for Sinks/Faucets

Supplies and Tools Required	2
Installation	2
Maintenance and Troubleshooting	3



ASSE 1070 & cUPC certified



Inlet Connections: 1/2" NPT or 3/8" Compression

Outlet Connection: 1/2" NPT or 3/8" Compression

Temperature Range: 95 – 125°F

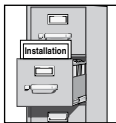
Maximum Pressure: 125 PSIG

Inlet Temperature, Hot: 120 – 180°F

Inlet Temperature, Cold: 33 – 80°F

Minimum Temperature Differential (from valve set point): 10°F

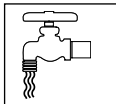
IMPORTANT!



Read this entire installation manual to ensure proper installation. When finished with the installation, file this manual with the owner or maintenance department. Compliance and conformity to local codes and ordinances is the responsibility of the installer.



Separate parts from packaging and make sure all parts are accounted for before discarding packaging material. If any parts are missing, do not begin installation until you obtain the missing parts.



Make sure that all water supply lines have been flushed and then completely turned off before beginning installation. Debris in supply lines can cause valves to malfunction.



Product warranties may be found under "Products" on our web site at bradleycorp.com.

Bradley 

Supplies Required

- Shut-off on the outlet if tempered water is supplied to a remote location
- Shut-off on the inlets/supplies
- (2) #10 fasteners (and wall anchors, if necessary) for wall bracket

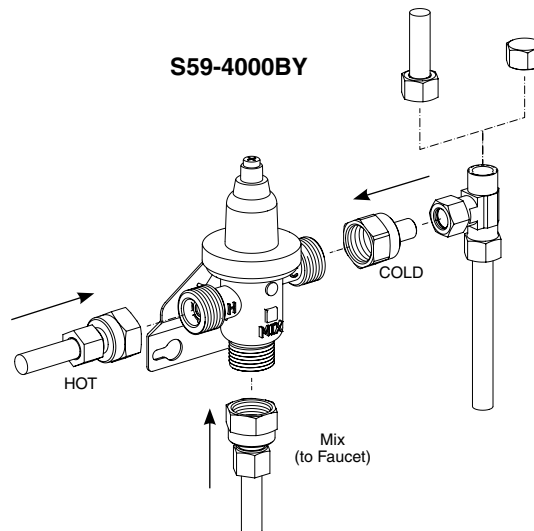
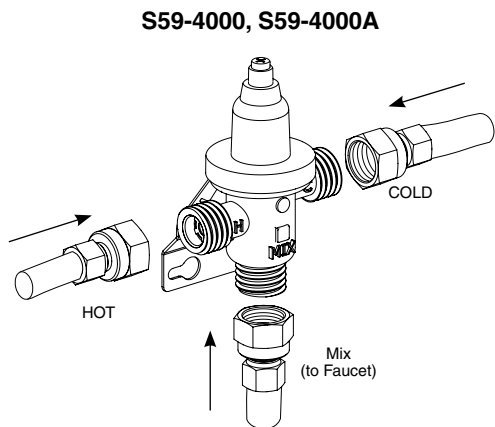
Tools Required

- Adjustable Wrench
- Needle-Nose Pliers
- Phillips-Head Screwdriver

1 Connect Supply Lines



Use only teflon tape or sealant appropriate for plastic threads. Do not use pipe dope or thread lock.



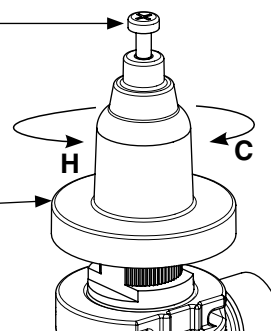
2 Adjust Temperature with Water Running



This valve is NOT factory preset. Upon installation, the temperature of this valve must be checked and adjusted to ensure delivery of a safe water temperature. Water in excess of 110°F (43°C) may cause scalding.

A Loosen Cap Screw about 1/4" (4-6 turns) and lift up cover (do not remove).

B Using cover, turn cartridge gently until desired water temperature is reached. Do not turn past stops as this may damage unit. Push cover down and tighten screw.



3 Test Unit



DO NOT SKIP THIS STEP!!!

Shut the hot water inlet off by closing hot water inlet valve. While the hot water supply is turned off, check to make sure the cold water flow is reduced. If the cold water is reduced properly, reopen the hot water supply.

Shut the cold water inlet off by closing the cold water inlet valve. While the cold water supply is off, check to make sure that the hot water flow has shut down.

Thermostatic Mixing Valve Troubleshooting



Before attempting to troubleshoot the valve or disassemble the components, check for the following conditions:

- If stop valves are used, make sure that they are fully open.
- Make sure that the hot and cold inlet pipes are connected properly, and that there are no cross-connections or leaking stop valves.
- Check the hot water heater output to make sure that it is at least 10° F above the set temperature.



Be sure to close the appropriate shut-off valves prior to disassembly of the valve and reopen the valves after inspection and repair is complete.

Problem	Cause	Solution
External leaks.	Damaged cartridge or O-rings.	Replace cartridge with part number 269-1927
Improper water temperature or temperature fluctuation.	Hot water supply is not 10° above desired set point.	Increase hot water supply temperature
	Valve temperature is not properly set.	Adjust the temperature as shown on page 2 step 2.
Limited water flow.	Dirt and debris have built up in the valve or strainer.	1. Check to make sure both hot and cold supplies are connected to the Navigator mixing valve and that they have water flow. 2. Remove cover and U-clip. Remove the cartridge and clean the strainer. It is not required to grease cartridge, however if desired, use silicone grease only. Do not use grease on check valves.

Parts List

Item	Part No.	Description	Quantity		
			S59-4000	S59-4000A	S59-4000BY
1	160-463	Cap Screw	1	1	1
2	107-582	Cover	1	1	1
3	269-1927	Thermostatic Cartridge	1	1	1
4	198-014	Check Valve*	2	2	2
5	132-051	Retaining Ring*	2	2	2
6	269-1999	3/8" Compression Adapter	-	3	2
7	146-079	U-Clip	1	1	1
8	118-319	Valve Body	1	1	1
9	S45-2456	Mounting Bracket Kit (optional)	1	1	1
10	153-461	1/2" NPT x 3/8" OD Compression Adapter	-	-	1
11	269-2012	3/8" OD Compression Tee	-	-	1
12	136-050	3/8" OD Compression Cap	-	-	1

* Included with Prepack S65-326

